

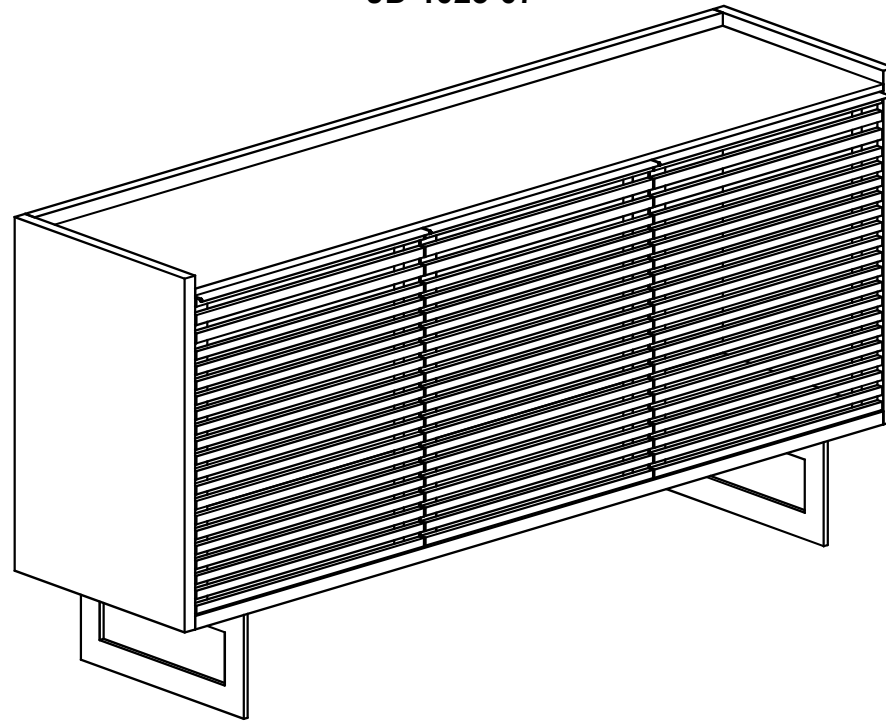
MOE'S

home collection

ASSEMBLY INSTRUCTIONS.

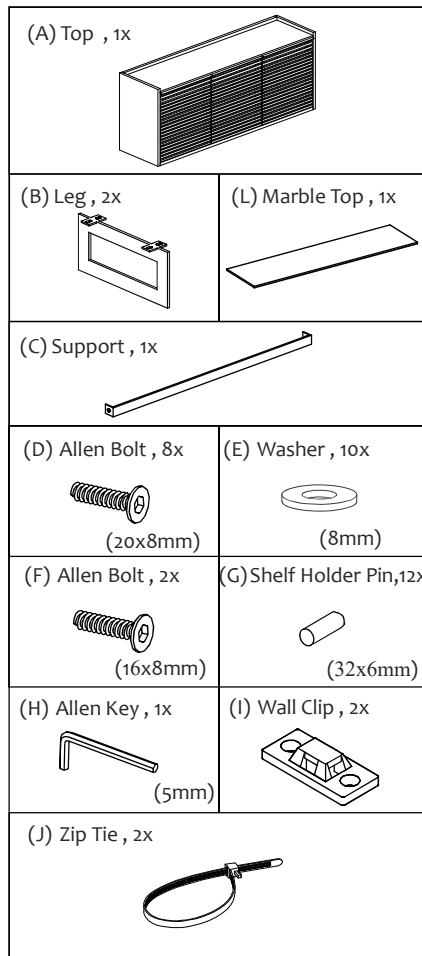
PALOMA SIDEBORD

JD-1023-07



THANK YOU FOR YOUR PURCHASE!

PARTS AND HARDWARE.

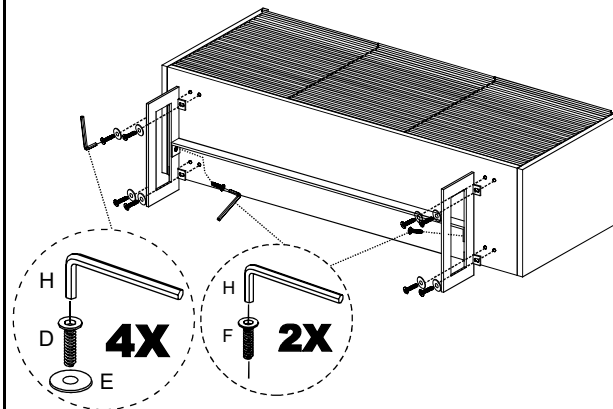


NOTES.

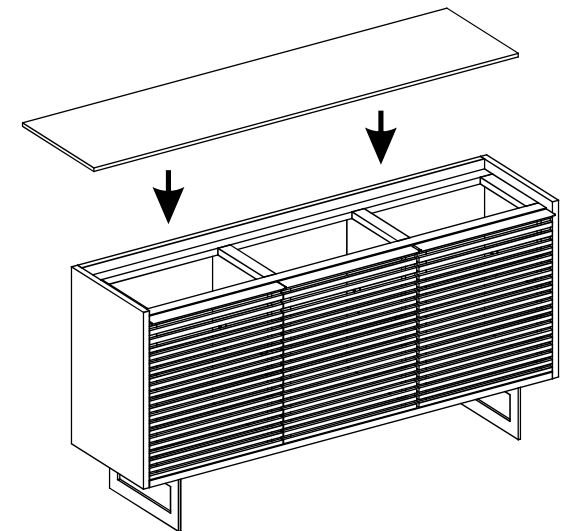
Thank you for purchasing this quality product! Be sure to check all packing material carefully for small part that may have come loose inside the carton during shipping.

CAUTION: The item is heavy, assembly should be performed by two people.

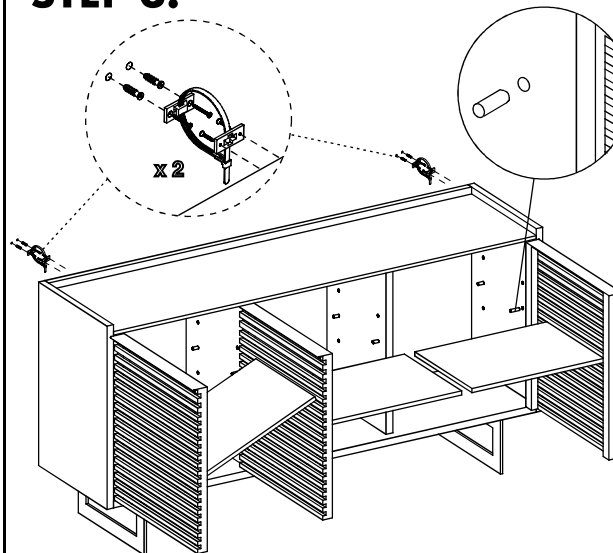
STEP 1.



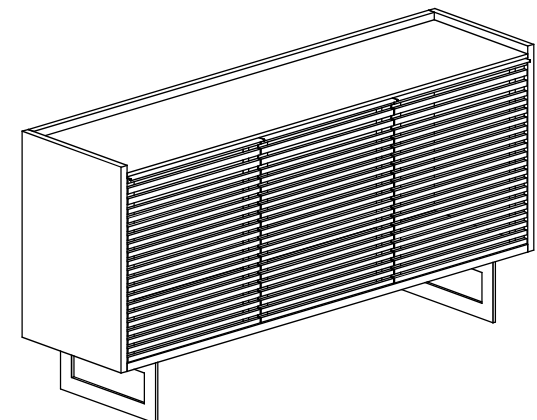
STEP 2.

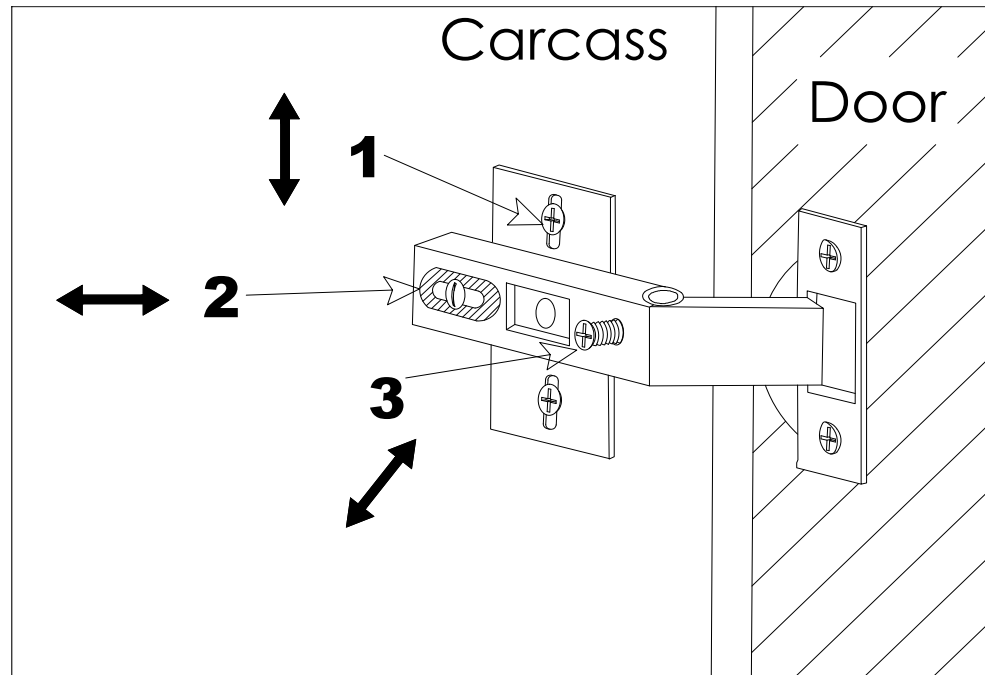


STEP 3.



STEP 4.





- 1 - Door height adjusts screws (up & down)
- 2 - Adjust distance between doors and cabinet (in & out)
- 3 - Adjust distance between doors and cabinet (side to side)